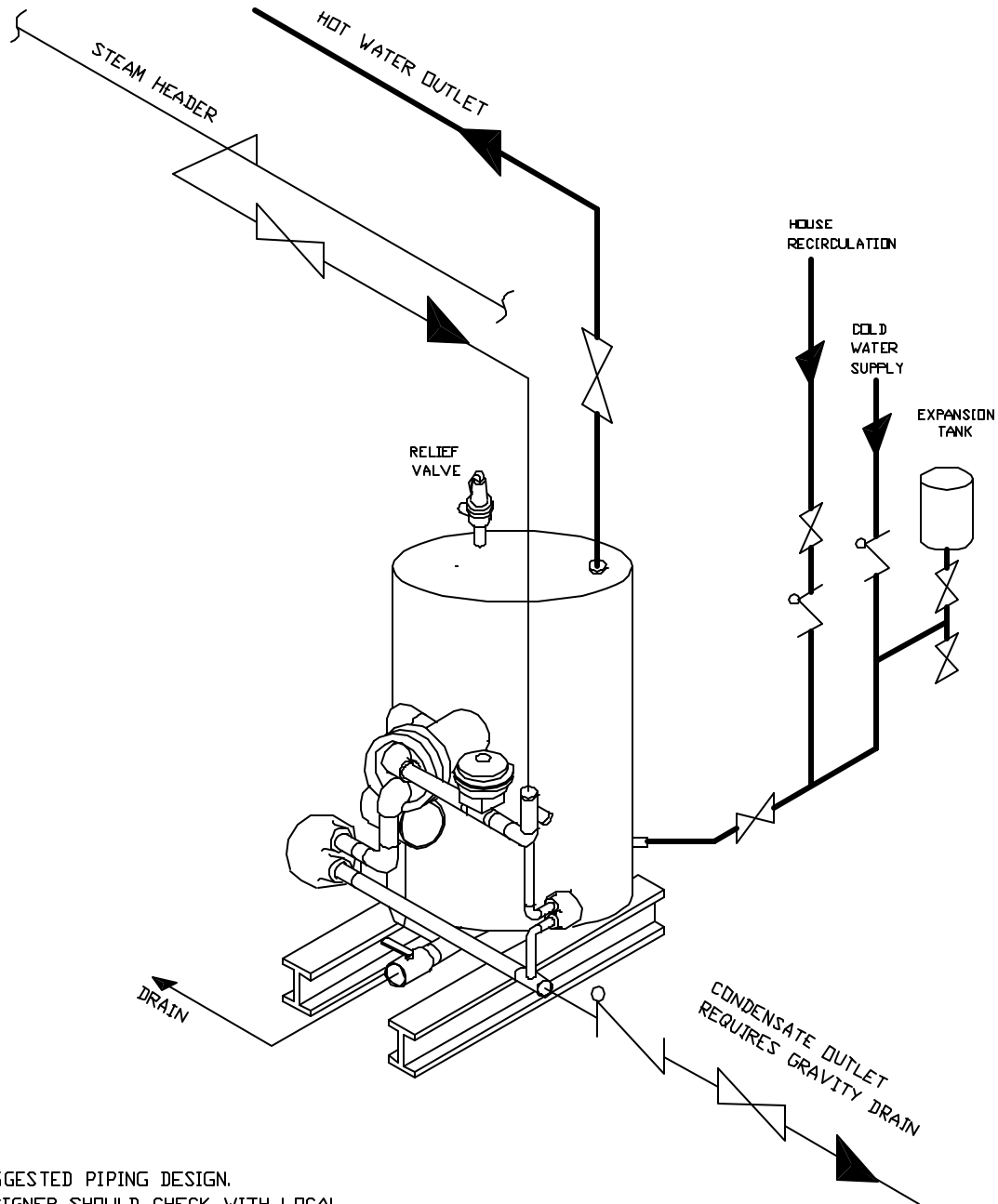




SWH SERIES
 STONESTEEL STORAGE SYSTEM
 STEAM FIRED WATER HEATER

	STOP VALVE
	CHECK VALVE
	CIRCULATOR



NOTE: SUGGESTED PIPING DESIGN.
 DESIGNER SHOULD CHECK WITH LOCAL
 CODES TO VERIFY COMPLIANCE.

PIPE ALL RELIEF VALVES TO DRAIN.