

JST Series



Cemline STONESTEEL® Jacketed Storage Tanks



STONESTEEL is a registered trademark of Cemline Corporation

CEMLINE CORPORATION

P.O. BOX 55 CHESWICK, PENNSYLVANIA 15024
Phone: (724) 274-5430 FAX (724) 274-5448

www.cemline.com

Cemline® STONESTEEL® Jacketed Storage Tanks Standard Package

Cemline JST Series jacketed storage tanks are factory insulated and jacketed pressure tanks designed for storing cold or hot water.

Cemline JST Series units are completely factory packaged storage tanks, including 3" Fiberglass insulation, 20 gauge steel jacket, and mounting supports. Factory packaging keeps customer installation time to a minimum, as connecting water lines is all that is necessary for use. JST Series storage tanks can also be provided

with steam or boiler water coils for use with boilers or indirect heaters. JST storage tanks are normally certified for maximum working pressure of 125 psig. Working pressures of 100 psig and 150 psig are frequently used and are readily available. Working pressures above 150 psig can be furnished.

Standard JST Package

Features

Storage tank — ASME Code Constructed National Board Registered - HLW stamp	ASME Code stamping and Registration offers the assurance of quality controlled construction.
STONESTEEL® tank lining constructed National Board Registered	Five (5) year NON-PRO-RATED guarantee of quality controlled construction.
Stainless Steel threaded connections	Maintains long tank life by protecting the most vulnerable point of corrosion.
3" Fiberglass insulation	Prevents heat loss to cut operating costs. Meets or exceeds latest ASHRAE standards.
20 Gauge steel jacket with	Protects insulation & provides neat finished appearance with hammertone enamel painted exterior.
Optional Extras Available	<ul style="list-style-type: none"> • Steam coils* • Solar water coils* • Boiler water coils* • Relief valve • Indicating pressure and/or temperature gauges

* For sizing submerged heating coils for heating water with steam or boiler water go to www.cemline.com for Automated Sizing Program.

JST Series

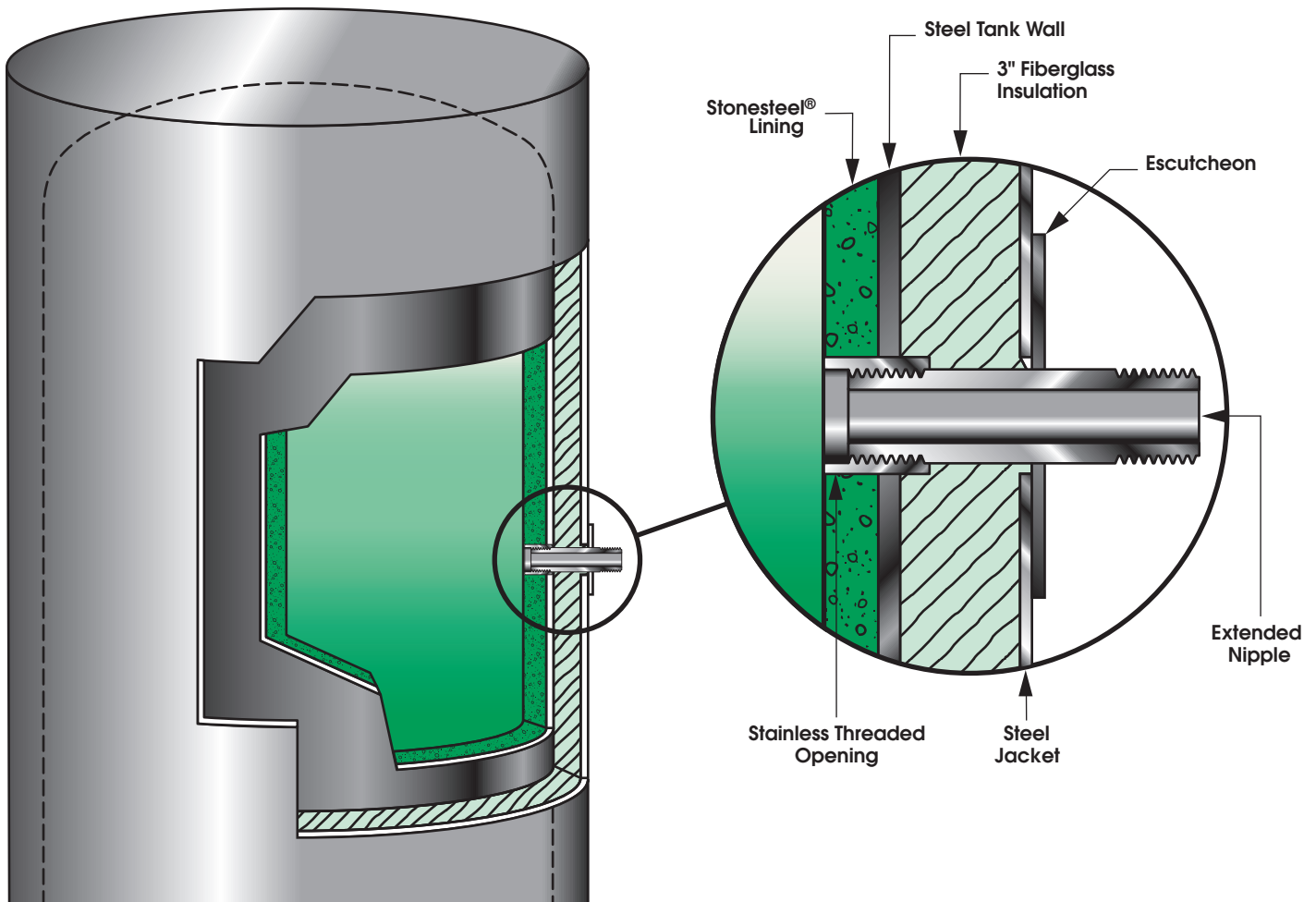
Cut-away view of the interior of the JST unit

Cemline JST Series jacketed storage tanks combine the corrosion resistance of STONE, the strength of STEEL and the insulating ability of Fiberglass in one package.

Cemline JST Series tanks are lined with Stonesteel® hydraulic cement lining. This type of lining has been time tested, proven over 50 years to be the most reliable and durable tank lining for water storage tanks. The Stonesteel® lining was originally patented by Cemline Corporation in the 1930's, is approved by military specifications and has U.S.D.A.

approval. The entire interior surface of the tank wall is generously covered with the Stonesteel® lining, and in larger vessels wire mesh is tack welded to the steel shell to insure proper bondage of the lining. The exterior of the tank is painted with high quality primer paint before a 3" thick Fiberglass insulation, complying with ASHRAE standards, is applied. The unit is

then covered with 20 gauge steel jacket, enamel painted to assure the owner of an attractive, neat, easy to maintain storage unit.

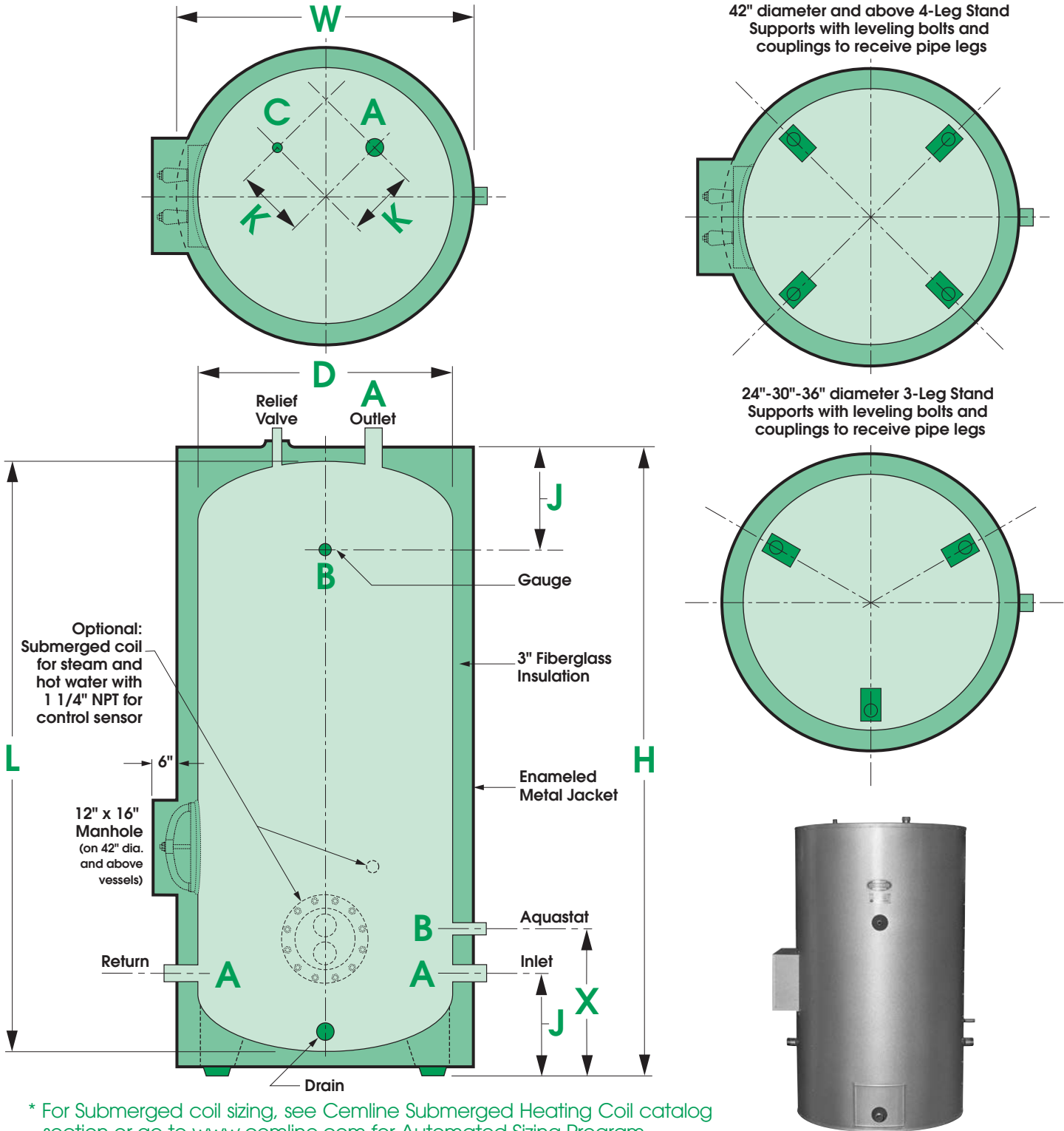


STONESTEEL® Jacketed Storage Tanks

Dimensional Data — Vertical

Cemline JST Series vertical package storage tanks are normally furnished as shown below. The dimensions suggested are well proportioned and suitable for most installations. When building space or other conditions demand, other sizes are readily available. Please consult factory.

Dimensions



* For Submerged coil sizing, see Cemline Submerged Heating Coil catalog section or go to www.cemline.com for Automated Sizing Program.

JST Series

Stock Units

Gallon Capacity	Model No.	Tank Size D x L	W	H	J	X	A	B	C	K
120	V120JST	24" x 63"	28"	66"	16"	22"	2 1/2"	3/4"	3/4"	8"
200	V200JST	30" x 76"	34"	80"	17"	23"	2 1/2"	3/4"	1"	8"
300	V300JST	36" x 80"	40"	84"	17"	23"	2 1/2"	3/4"	1"	8"
500	V500JST	42" x 90"	46"	94"	19"	25"	2 1/2"	3/4"	1"	10"

Other Sizes Available

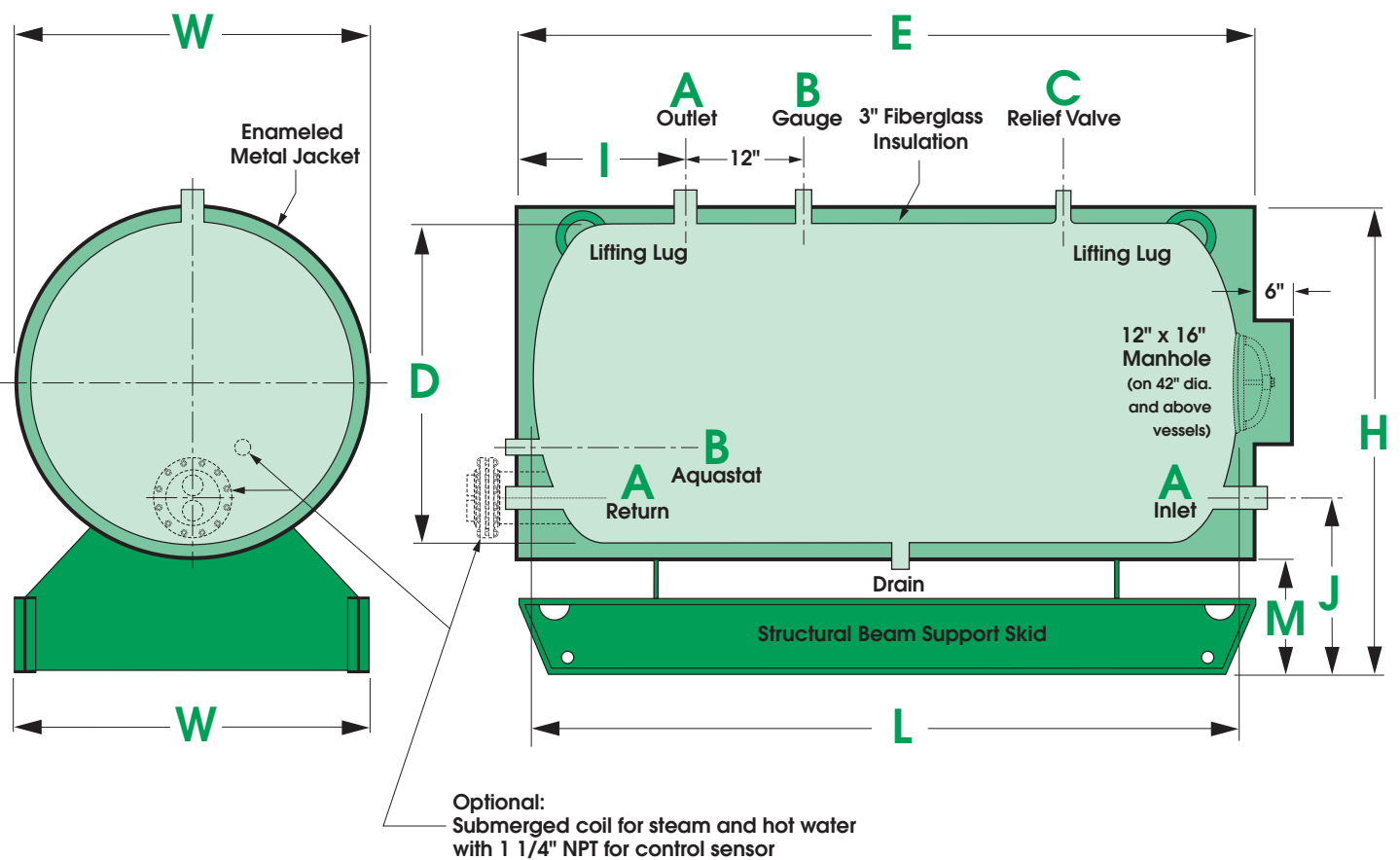
Gallon Capacity	Model No.	Tank Size D x L	W	H	J	X	A	B	C	K
140	V140JST	24" x 84"	28"	88"	16"	22"	1 1/2"	3/4"	3/4"	8"
165	V165JST	24" x 96"	28"	100"	16"	22"	1 1/2"	3/4"	3/4"	8"
225	V225JST	30" x 84"	34"	88"	17"	23"	1 1/2"	3/4"	1"	8"
255	V255JST	30" x 96"	34"	100"	17"	23"	1 1/2"	3/4"	1"	8"
275	V275JST	36" x 72"	40"	76"	17"	23"	1 1/2"	3/4"	1"	8"
390	V390JST	36" x 96"	40"	100"	17"	23"	1 1/2"	3/4"	1"	8"
425	V425JST	36" x 108"	40"	112"	17"	23"	1 1/2"	3/4"	1"	8"
470	V470JST	36" x 120"	40"	124"	17"	23"	1 1/2"	3/4"	1"	8"
375	V375JST	42" x 72"	46"	76"	19"	25"	2"	3/4"	1"	10"
440	V440JST	42" x 84"	46"	88"	19"	25"	2"	3/4"	1"	10"
570	V570JST	42" x 108"	46"	112"	19"	25"	2"	3/4"	1"	10"
650	V650JST	42" x 120"	46"	124"	19"	25"	2"	3/4"	1"	10"
700	V700JST	42" x 132"	46"	136"	19"	25"	2"	3/4"	1"	10"
770	V770JST	42" x 144"	46"	148"	19"	25"	2"	3/4"	1"	10"
560	V560JST	48" x 84"	52"	88"	19"	25"	2"	3/4"	1 1/2"	10"
680	V680JST	48" x 96"	52"	100"	19"	25"	2"	3/4"	1 1/2"	10"
730	V730JST	48" x 108"	52"	112"	19"	25"	2"	3/4"	1 1/2"	10"
865	V865JST	48" x 120"	52"	124"	19"	25"	2"	3/4"	1 1/2"	10"
915	V915JST	48" x 132"	52"	136"	19"	25"	2"	3/4"	1 1/2"	10"
1010	V1010JST	48" x 144"	52"	148"	19"	25"	2"	3/4"	1 1/2"	10"
670	V670JST	54" x 84"	58"	88"	19"	25"	2"	3/4"	1 1/2"	10"
800	V800JST	54" x 96"	58"	100"	19"	25"	2"	3/4"	1 1/2"	10"
880	V880JST	54" x 108"	58"	112"	19"	25"	2"	3/4"	1 1/2"	10"
980	V980JST	54" x 120"	58"	124"	19"	25"	2"	3/4"	1 1/2"	10"
1085	V1085JST	54" x 132"	58"	136"	19"	25"	2"	3/4"	1 1/2"	10"
1190	V1190JST	54" x 144"	58"	148"	19"	25"	2"	3/4"	1 1/2"	10"
850	V850JST	60" x 84"	64"	88"	23"	29"	2"	3/4"	1 1/2"	10"
1000	V1000JST	60" x 96"	64"	100"	23"	29"	2"	3/4"	1 1/2"	10"
1130	V1130JST	60" x 108"	64"	112"	23"	29"	2"	3/4"	1 1/2"	10"
1300	V1300JST	60" x 120"	64"	124"	23"	29"	2"	3/4"	1 1/2"	10"
1400	V1400JST	60" x 132"	64"	136"	23"	29"	2"	3/4"	1 1/2"	10"
1600	V1600JST	60" x 144"	64"	148"	23"	29"	2"	3/4"	1 1/2"	10"
1180	V1180JST	72" x 84"	76"	88"	24"	30"	2 1/2"	3/4"	1 1/2"	12"
1380	V1380JST	72" x 96"	76"	100"	24"	30"	2 1/2"	3/4"	1 1/2"	12"
1600	V1600JST	72" x 108"	76"	112"	24"	30"	2 1/2"	3/4"	1 1/2"	12"
1980	V1980JST	72" x 120"	76"	124"	24"	30"	2 1/2"	3/4"	1 1/2"	12"
2480	V2480JST	72" x 144"	76"	136"	24"	30"	2 1/2"	3/4"	1 1/2"	12"
1620	V1620JST	84" x 84"	88"	88"	28"	34"	3"	3/4"	2"	12"
1890	V1890JST	84" x 96"	88"	100"	28"	34"	3"	3/4"	2"	12"
2160	V2160JST	84" x 108"	88"	112"	28"	34"	3"	3/4"	2"	12"
2430	V2430JST	84" x 120"	88"	124"	28"	34"	3"	3/4"	2"	12"
2700	V2700JST	84" x 132"	88"	136"	28"	34"	3"	3/4"	2"	12"
2970	V2970JST	84" x 144"	88"	148"	28"	34"	3"	3/4"	2"	12"
2120	V2120JST	96" x 84"	100"	88"	30"	36"	3"	3/4"	2"	12"
2480	V2480JST	96" x 96"	100"	100"	30"	36"	3"	3/4"	2"	12"
2840	V2840JST	96" x 108"	100"	112"	30"	36"	3"	3/4"	2"	12"
3200	V3200JST	96" x 120"	100"	124"	30"	36"	3"	3/4"	2"	12"
3560	V3560JST	96" x 132"	100"	136"	30"	36"	3"	3/4"	2"	12"
3920	V3920JST	96" x 144"	100"	148"	30"	36"	3"	3/4"	2"	12"

STONESTEEL® Jacketed Storage Tanks

Dimensional Data — Horizontal

Cemline JST Series horizontal package storage tanks are normally furnished as shown below. The dimensions suggested are well proportioned and suitable for most installations. When building space or other conditions demand, other sizes are readily available. Please consult factory.

Dimensions



* For Submerged coil sizing, see Cemline Submerged Heating Coil catalog section or go to www.cemline.com for Automated Sizing Program.



JST Series

Dimensions

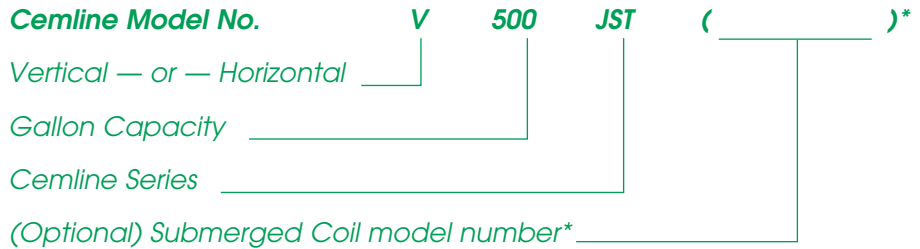
Gallon Capacity	Model No.	Tank Size D x L	H	W	E	M	J	A	B	C	I
100	H100JST	24" x 58"	46"	28"	62"	18"	24"	1 1/2"	3/4"	1"	17"
120	H120JST	24" x 63"	46"	28"	67"	18"	24"	1 1/2"	3/4"	1"	17"
140	H140JST	24" x 84"	46"	28"	88"	18"	24"	1 1/2"	3/4"	1"	17"
165	H165JST	24" x 96"	46"	28"	100"	18"	24"	1 1/2"	3/4"	1"	17"
200	H200JST	30" x 76"	49"	34"	80"	15"	21"	1 1/2"	3/4"	1"	18"
225	H225JST	30" x 84"	49"	34"	88"	15"	21"	1 1/2"	3/4"	1"	18"
255	H255JST	30" x 96"	49"	34"	100"	15"	21"	1 1/2"	3/4"	1"	18"
320	H320JST	30" x 120"	49"	34"	124"	15"	21"	1 1/2"	3/4"	1"	18"
275	H275JST	36" x 72"	52"	40"	76"	12"	20"	1 1/2"	3/4"	1"	20"
325	H325JST	36" x 84"	52"	40"	88"	12"	20"	1 1/2"	3/4"	1"	20"
390	H390JST	36" x 96"	52"	40"	100"	12"	20"	1 1/2"	3/4"	1"	20"
470	H470JST	36" x 120"	52"	40"	124"	12"	20"	1 1/2"	3/4"	1"	20"
565	H565JST	36" x 144"	52"	40"	148"	12"	20"	1 1/2"	3/4"	1"	20"
440	H440JST	42" x 84"	58"	46"	88"	12"	20"	2"	3/4"	1 1/2"	22"
530	H530JST	42" x 96"	58"	46"	100"	12"	20"	2"	3/4"	1 1/2"	22"
650	H650JST	42" x 120"	58"	46"	124"	12"	20"	2"	3/4"	1 1/2"	22"
770	H770JST	42" x 144"	58"	46"	148"	12"	20"	2"	3/4"	1 1/2"	22"
560	H560JST	48" x 84"	64"	52"	88"	12"	20"	2"	3/4"	1 1/2"	24"
680	H680JST	48" x 96"	64"	52"	100"	12"	20"	2"	3/4"	1 1/2"	24"
730	H730JST	48" x 108"	64"	52"	112"	12"	20"	2"	3/4"	1 1/2"	24"
865	H865JST	48" x 120"	64"	52"	124"	12"	20"	2"	3/4"	1 1/2"	24"
1010	H1010JST	48" x 144"	64"	52"	148"	12"	20"	2"	3/4"	1 1/2"	24"
1080	H1080JST	48" x 156"	64"	52"	160"	12"	20"	2"	3/4"	1 1/2"	24"
1170	H1170JST	48" x 168"	64"	52"	172"	12"	20"	2"	3/4"	1 1/2"	24"
670	H670JST	54" x 84"	70"	58"	88"	12"	22"	2"	3/4"	1 1/2"	28"
800	H800JST	54" x 96"	70"	58"	100"	12"	22"	2"	3/4"	1 1/2"	28"
980	H980JST	54" x 120"	70"	58"	124"	12"	22"	2"	3/4"	1 1/2"	28"
1190	H1190JST	54" x 144"	70"	58"	148"	12"	22"	2"	3/4"	1 1/2"	28"
1390	H1390JST	54" x 168"	70"	58"	172"	12"	22"	2"	3/4"	1 1/2"	28"
1000	H1000JST	60" x 96"	76"	64"	100"	12"	22"	2"	3/4"	1 1/2"	28"
1300	H1300JST	60" x 120"	76"	64"	124"	12"	22"	2"	3/4"	1 1/2"	28"
1600	H1600JST	60" x 144"	76"	64"	148"	12"	22"	2"	3/4"	1 1/2"	28"
1900	H1900JST	60" x 168"	76"	64"	172"	12"	22"	2"	3/4"	1 1/2"	28"
1380	H1380JST	72" x 96"	88"	76"	100"	12"	24"	2 1/2"	3/4"	2"	30"
1980	H1980JST	72" x 120"	88"	76"	124"	12"	24"	2 1/2"	3/4"	2"	30"
2400	H2400JST	72" x 144"	88"	76"	148"	12"	24"	2 1/2"	3/4"	2"	30"
2580	H2580JST	72" x 168"	88"	76"	172"	12"	24"	2 1/2"	3/4"	2"	30"
2780	H2780JST	72" x 180"	88"	76"	184"	12"	24"	2 1/2"	3/4"	2"	30"
1890	H1890JST	84" x 96"	98"	88"	100"	10"	22"	3"	3/4"	2"	30"
2430	H2430JST	84" x 120"	98"	88"	124"	10"	22"	3"	3/4"	2"	30"
2970	H2970JST	84" x 144"	98"	88"	148"	10"	22"	3"	3/4"	2"	30"
3500	H3500JST	84" x 168"	98"	88"	172"	10"	22"	3"	3/4"	2"	30"
3780	H3780JST	84" x 180"	98"	88"	184"	10"	22"	3"	3/4"	2"	30"
4040	H4040JST	84" x 192"	98"	88"	196"	10"	22"	3"	3/4"	2"	30"
4320	H4320JST	84" x 204"	98"	88"	208"	10"	22"	3"	3/4"	2"	30"
3200	H3200JST	96" x 120"	110"	100"	124"	10"	22"	3"	3/4"	2"	30"
3920	H3920JST	96" x 144"	110"	100"	148"	10"	22"	3"	3/4"	2"	30"
4640	H4640JST	96" x 168"	110"	100"	172"	10"	22"	3"	3/4"	2"	30"
5000	H5000JST	96" x 180"	110"	100"	184"	10"	22"	3"	3/4"	2"	30"
5360	H5360JST	96" x 192"	110"	100"	196"	10"	22"	3"	3/4"	2"	30"
5720	H5720JST	96" x 204"	110"	100"	208"	10"	22"	3"	3/4"	2"	30"
6080	H6080JST	96" x 216"	110"	100"	220"	10"	22"	3"	3/4"	2"	30"

JST — Jacketed Storage Tanks

Sample Specification

To specify a Cemline JST Series jacketed storage tank, choose the desired storage section in horizontal or vertical configuration and use specification as shown below

Example — To specify a vertical 500 gallon jacketed storage tank specify:



Cemline JST Series jacketed storage tank shall be factory jacketed and insulated as a pre-packaged unit. The steel storage tank shall be constructed in accordance with Section IV of the ASME Code for +125 psig working pressure. The tank shall be registered with the National Board of Boiler and Pressure Vessel Inspectors and Certificate of shop Inspection shall be furnished. The tanks shall be lined with not less than 1/2" thick Stonesteel® cement lining, and all threaded openings shall be of 316 stainless steel. Tanks above 36" diameter shall have wire mesh completely welded over the interior prior to application of lining. A 12" x 16" manhole shall be furnished as required by ASME Code on tanks above 42" diameter. Tank shall be mounted (horizontally on structural support skid) or (vertically with leveling bolts and couplings for pipe legs). The tank shall be insulated with 3" dense Fiberglass protected by 20 gauge enameled steel jacket. All openings shall be extended through the jacket with red brass nipples. Escutcheon shall be used at all jacket penetrations. Jacketed storage tank shall be Cemline Model _____ .

*For submerged coil sizing and model number, refer to Cemline Submerged Heating Coil catalog section or go to www.cemline.com for Automated sizing Program. When submerged heating coil is required, add the following:

Tank shall be furnished with submerged U-Bend copper coil 3/4" O.D. copper tubes, designed to heat _____ GPH, from _____ °F. to _____ °F. when furnished with _____ . (specify steam pressure, boiler water temperature, solar temperature, or condensate temperature and flow rate).

+ Working pressure can be also furnished at 100 or 150 psig as standard.
Other working pressures are available.

